

202-203-204 SERIES OPERATING INSTRUCTIONS

Operating Instructions:

1. Insert connector onto test piece. Make sure a minimum of .710 of engagement is achieved. This will ensure proper seal life and gripping ability.



2. Cam the handle 90°.



3. Introduce test media through the 1/8" NPT charge port.



4. After your test is completed, vent the system then remove connector.

Adjustment:

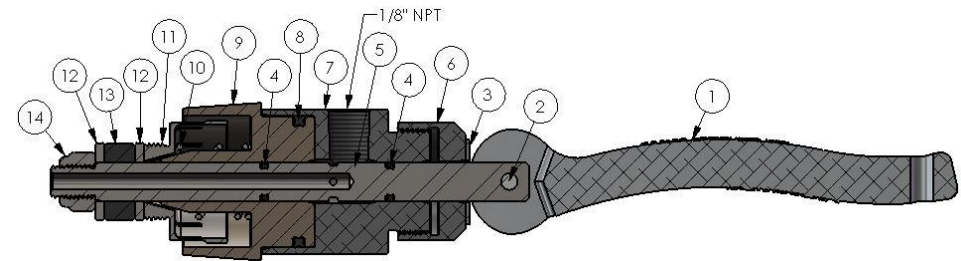
1. If the RAMSEAL® connector is not sealing properly some adjustment may be needed.
2. The adjusting nut and body are set using Loctite® from the factory. Uses a 1-1/8" wrench to break the Loctite® loose.
3. Counterclockwise to tighten.



4. Clockwise to loosen.



Replacement Parts and Assembly Diagram:



ITEM NO.	MODEL 202	DESCRIPTION
1	20202	Handle
2	20203	Handle Pin
3	20212	Wear Washer
4	20224	Quad Seal (Shaft)
5	20228	Shaft
6	20231	Adjusting Nut
7	20201	Body
8	20223	Quad Seal (Collet Operator)
9	20222	Collet Operator
10	20207	Spring
11	20206-*	Collet
12	20215-*	Seal Stop
13	20208-*	Seal
14	20217	Seal Stop Nut

* Specify Model Number, and /or Tube I.D. and O.D.

202-203-204 SERIES OPERATING INSTRUCTIONS

Operating Instructions:

5. Insert connector onto test piece. Make sure a minimum of .860 of engagement is achieved. This will ensure proper seal life and gripping ability.



6. Cam the handle 90°.



7. Introduce test media through the 1/4" NPT charge port.



8. After your test is completed, vent the system then remove connector.

Adjustment:

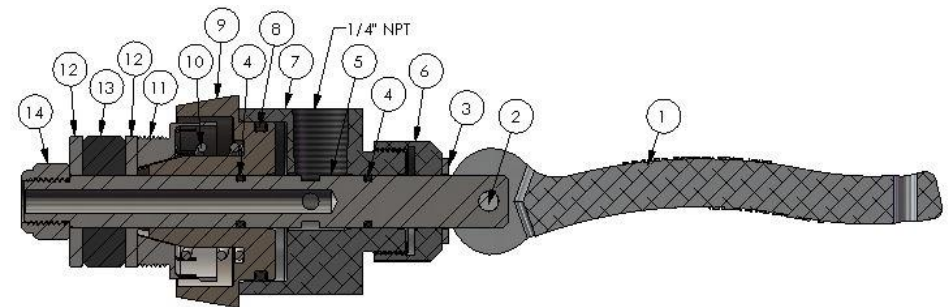
5. If the RAMSEAL® connector is not sealing properly some adjustment may be needed.
6. The adjusting nut and body are set using Loctite® from the factory. Uses a 1-1/8" wrench to break the Loctite® loose.
7. Counterclockwise to tighten.



8. Clockwise to loosen.



Replacement Parts and Assembly Diagram:



ITEM NO.	MODEL 203	MODEL 204	DESCRIPTION
1	20302	20402	Handle
2	20303	20403	Handle Pin
3	20312	20412	Wear Washer
4	20324	20424	Quad Seal (Shaft)
5	20328	20428	Shaft
6	20331	20431	Adjusting Nut
7	20301	20401	Body
8	20323	20423	Quad Seal (Collet Operator)
9	20322	20422	Collet Operator
10	20307	20407	Spring
11	20306-*	20406-*	Collet
12	20315-*	20415-*	Seal Stop
13	20308-*	20408-*	Seal
14	20317	20417	Seal Stop Nut

* Specify Model Number, and /or Tube I.D. and O.D.