

# 147-148-149 SERIES OPERATING INSTRUCTIONS

## Operating Instructions:

1. Insert connector onto test piece. Make sure a minimum of .860 of engagement is achieved. This will ensure proper seal life and gripping ability.



2. Cam the handle 90°.



3. Introduce test media through the 1/4" NPT charge port.



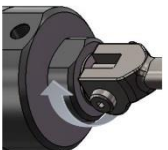
4. After your test is completed, vent the system then remove connector.

## Adjustment:

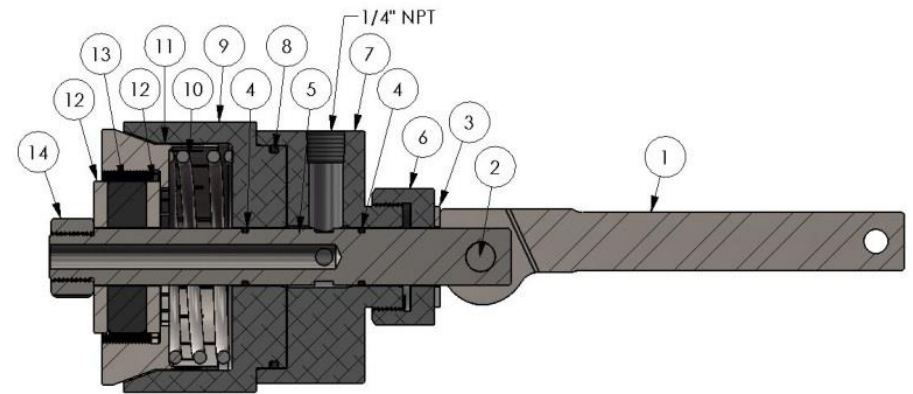
1. If the RAMSEAL® connector is not sealing properly some adjustment may be needed.
2. The adjusting nut and body are set using Loctite® from the factory. Uses a 1-13/16 wrench to break the Loctite® loose.
3. Counterclockwise to tighten.



4. Clockwise to loosen.



## Replacement Parts and Assembly Diagram:



ITEM NO.	MODEL 147	MODEL 148	MODEL 149	DESCRIPTION
1	14702	14802	14902	Handle
2	14703	14803	14903	Handle Bolt w/Nut
3	14712	14812	14912	Wear Washer
4	14724	14824	14924	Quad Seal (Shaft)
5	14728	14828	14928	Shaft
6	14731	14831	14931	Adjusting Nut
7	14701	14801	14901	Body
8	14723	14823	14923	Quad Seal (Collet Operator)
9	14722	14822	14922	Collet Operator
10	14707	14807	14907	Spring
11	14706-*	14806-*	14906-*	Collet
12	14715-*	14815-*	14915-*	Seal Stop
13	14708-*	14808-*	14908-*	Seal
14	14717	14817	14917	Seal Stop Nut

\* Specify Model Number, and /or Tube I.D. and O.D.